

# ADAPTABILITY & PRECISION

CALIBRATION GAUGES FOR CHEMICAL INJECTION SYSTEMS by KENCO



FEATURING NEW **AccuRate**® PRECISION PUMP SETTING GAUGE



visit our online business center at: [kenco-eng.com](http://kenco-eng.com)

**AccuRate®**  
**PRECISION PUMP SETTING GAUGE**

**APPLICATION:**

Kenco AccuRate® Pump Setting Gauges utilize precision scientific glass to provide the most accurate reading possible for calibrating the flow rate of a chemical metering pump. They are also used to periodically monitor the performance and accuracy of a chemical injection system. The AccuRate® gauge can also be used as the primary containment reservoir of a fluid that will be pumped into a chemical injection system.

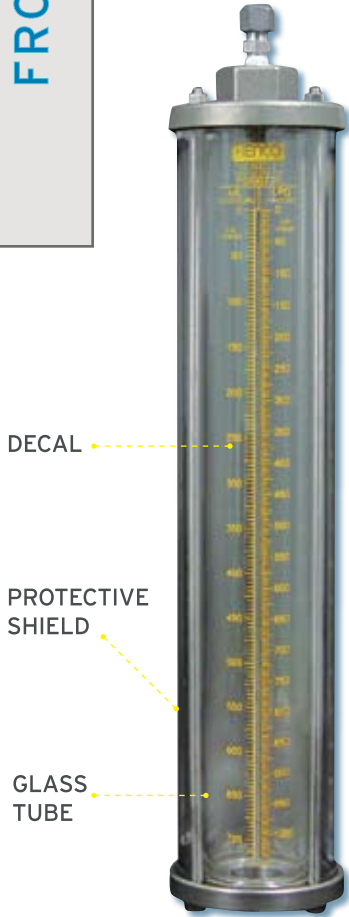


**THE ONE-MINUTE TEST:**

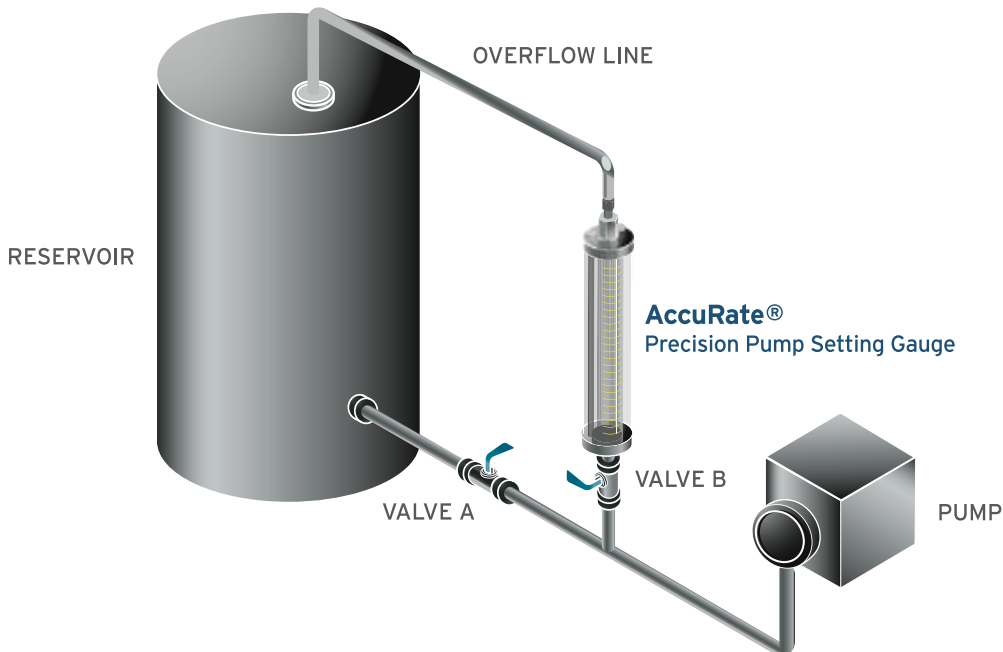
To check the pumping rate of a chemical pump, isolate the chemical in the tank from the AccuRate® gauge. The decal on the gauge glass has (2) individual calibrated scales. The scale on the left side is a volume scale in milliliters; in a one-minute test, the scale will read the pump rate in milliliters. The scale on the right side will depend on what type of flow rate is required; i.e. U.S. Gallons Per Day (USG), Gallons Per Hour (GPH), Liters Per Day (LPD), or Liters Per Hour (LPH). Keep the isolating valve closed and observe the number of marks the fluid level passes in one minute. This will give you the actual chemical pump rate. If the rate is not the one desired, make an adjustment to the chemical pump feed rate and conduct as many one-minute tests as is necessary to set the chemical pump rate to the rate desired.

**GAUGE FEATURES:**

1. Precision borosilicate glass sight tube delivers precision rate calibration from 0.05% to 0.2%. AccuRate® Pump Setting Gauges will calibrate pump rates up to 1095 Gallons Per Day (GPD) or 4,140 Liters Per Day (LPD).
2. Clear polycarbonate shield for high impact resistance is now standard
3. Five (5) scale options are available: U.S. Gallons By Volume (USG), Gallons Per Day (GPD), Gallons Per Hour (GPH), Liters Per Day (LPD) and Liters Per Hour (LPH) - Standard volumetric scale in ML on all units
4. Tubing connector on top of gauge is supplied with every unit
5. Standard end plate materials are 316 SS and PVC. Other materials are available upon request.
6. Drain holes in lower end plate eliminate condensation

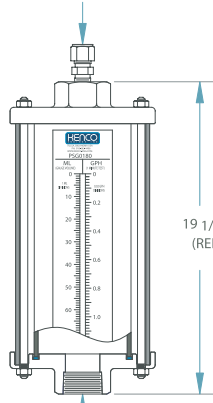


**COMMON APPLICATION FOR AccuRate® PUMP SETTING GAUGE**



## Accurate® PUMP SETTING GAUGE SPECIFICATIONS

3/8" O.D. TUBE X 1/4" MNPT  
316 STAINLESS STEEL  
VENT TUBE CONNECTOR

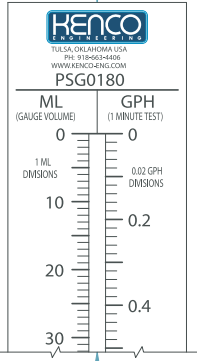


19 1/16"  
(REF.)

FNPT INLET PORT

GAUGE WITH 316 S.S. END PLATES

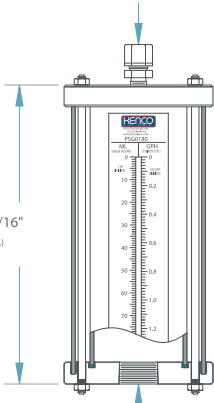
ALL GAUGE CALIBRATION SCALES HAVE A  
VOLUME SCALE IN MILLILITERS ON  
LEFT-HAND SIDE.



PSG0180 "GPH" SCALE

CALIBRATION SCALE ILLUSTRATION

3/8" O.D. TUBE X 1/4" MNPT  
POLYPROPYLENE  
VENT TUBE CONNECTOR



17 13/16"  
(REF.)

FNPT INLET PORT

GAUGE WITH PVC END PLATES

## AccuRate® PUMP SETTING GAUGE SPECIFICATIONS

GAUGE MODEL NUMBER	END PLATE MATERIAL	GAUGE VOLUME		MAXIMUM PUMPING RATE (BASED ON A 1 MINUTE TEST)				INLET PORT SIZE	END PLATE O.D.
		ML	USG	GPH	GPD	LPH	LPD		
PSG0180-S	316 S.S.	180	0,0476	2,84	68,5	10,8	258	1/2"	2-7/8"
PSG0180-P	PVC								3"
PSG0404-S	316 S.S.	404	0,107	6,4	154	24,3	580	3/4"	3-3/8"
PSG0404-P	PVC								3-1/2"
PSG0720-S	316 S.S.	720	0,19	11,4	274	43,2	1035	1"	3-7/8"
PSG0720-P	PVC								4"
PSG1620-S	316 S.S.	1620	0,428	25,6	615	97	2330	1"	4-7/8"
PSG1620-P	PVC								5"
PSG2880-S	316 S.S.	2880	0,76	45,6	1095	172	4140	1"	5-7/8"
PSG2880-P	PVC								6"

- Gauge Glass Repair Kit consists of O-ring Seals and Sight Tube with Calibration Scale.
- To order a Gauge Glass Repair Kit, add suffix "-RK" to Gauge Model Number. (Example: PSG0180-S-V-GPH-RK).

## ORDERING SYSTEM

### AccuRate® Pump Setting Gauge

REQUESTED BY: \_\_\_\_\_ COMPANY: \_\_\_\_\_

ADDRESS: \_\_\_\_\_ CITY: \_\_\_\_\_ STATE: \_\_\_\_\_ ZIP: \_\_\_\_\_

PHONE: \_\_\_\_\_ FAX: \_\_\_\_\_ EMAIL: \_\_\_\_\_





#### Gauge Model Number:

PSG0180  
PSG0404  
PSG0720  
PSG1620  
PSG2880

#### End Plate Material:

S = 316 Stainless Steel  
P = PVC  
Other (Please specify above)

#### O-ring Seal Material:

A = Aflas  
B = Buna-N  
E = Ethylene Propylene  
V = Fluorocarbon  
T = FEP

#### Calibration Scale:

USG = U.S. Gallons by Volume  
GPH = Gallons Per Hour  
GPD = Gallons Per Day  
LPH = Liters Per Hour  
LPD = Liters Per Day

- Example Order Number: PSG0180-S-V-GPH
- Please contact Kenco to request a quote for options not covered by gauge specifications shown above.
- For a Redline glass strip, add -RL to end of part number.

# CALIBRATION POTS

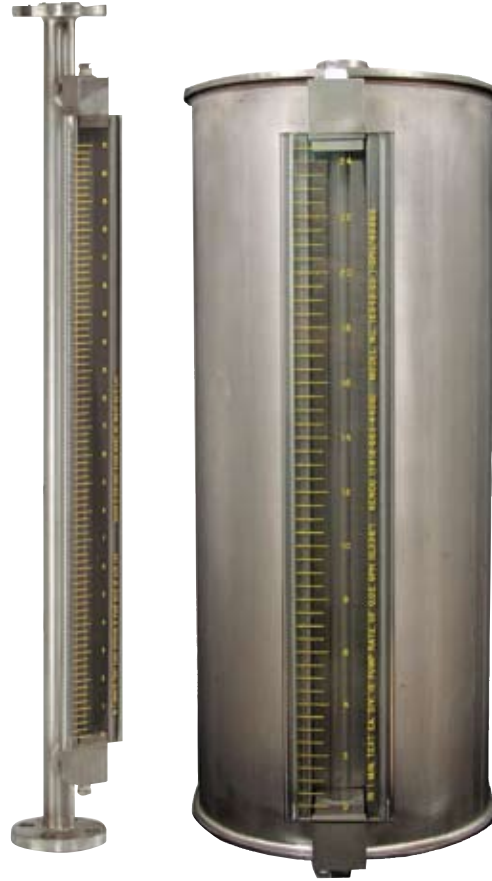
## CALIBRATION POTS FOR CALIBRATING CHEMICAL PUMPS

### APPLICATIONS:

Calibration Pots provide an accurate pump calibration of higher pump flow rates. The totally enclosed construction assures maximum safety. The gauge is installed between the suction side of the chemical pump and the tank. The pump rate is checked by closing the valve between the tank and gauge and observing the level change in the gauge for one minute.

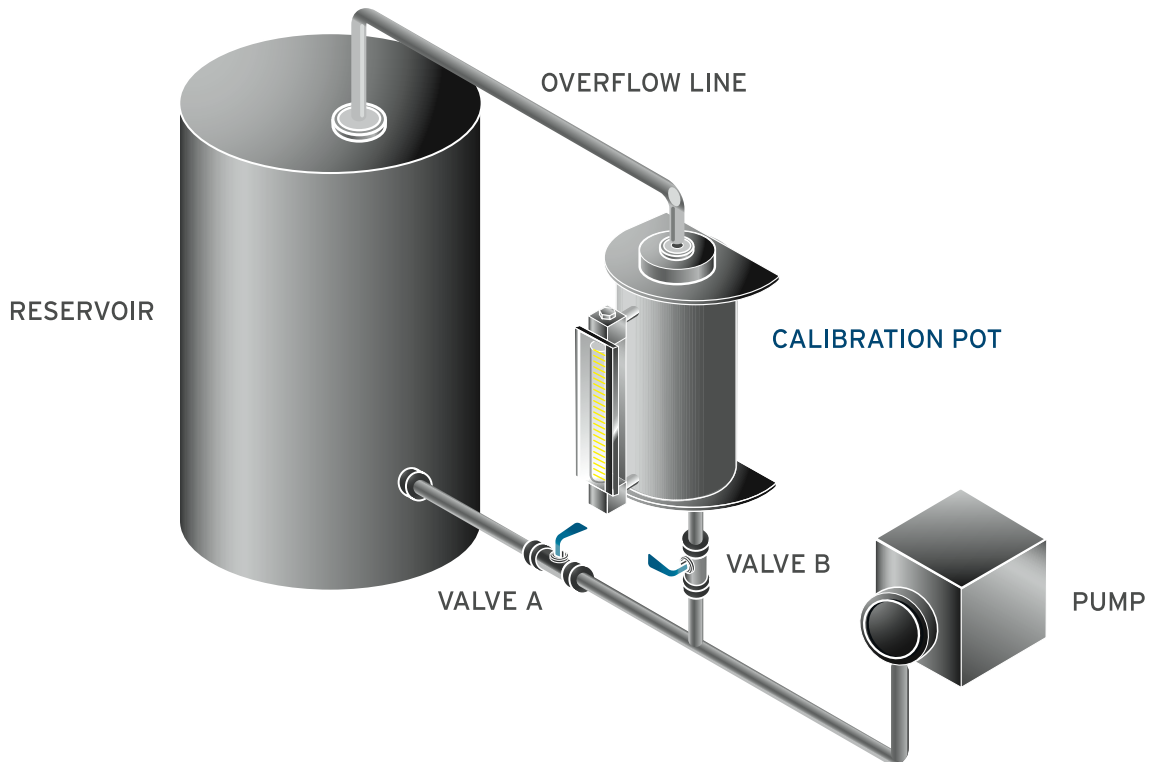
### EQUIPMENT FEATURES:

- Design utilizes a tank with shielded tubular gauge for maximum protection from glass breakage
- Provide a means for accurately checking the feed rates of a chemical metering pump
- Manufactured in PVC, Carbon Steel and 316 Stainless Steel as standard materials. We can provide other materials to meet your chemical resistance requirements.
- Individually hand calibrated to assure maximum accuracy
- Customization is always an option, give us your design criteria and we will design a gauge to fit your needs and specifications

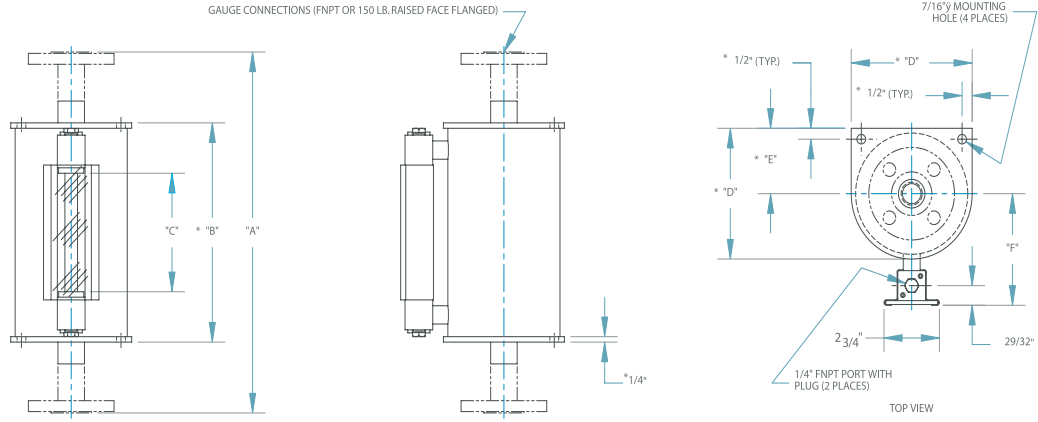


CALIBRATION POTS AVAILABLE WITH FLANGED OR THREADED CONNECTIONS

### COMMON APPLICATION



# CALIBRATION POTS



## CALIBRATION POT SPECIFICATIONS

MODEL NUMBER (CONNECTION SIZE)		MAXIMUM PUMPING RATE (BASED ON A 1 MINUTE TEST)				GAUGE VOLUME		M.W.P. (150° F)	A		* B	C	* D	* E	F
THREADED	FLANGED	GPH	GPD	LPH	LPD	GBV	LBV	PSIG	FNPT	FLGD.					
15842 (3/4" FNPT)	15843 (3/4" 150#)	2.5	60	9.46	227.12	0.04	0.16	150	21-7/16"	24-3/8"	N/A	15-3/4"	N/A	N/A	2-7/8"
15844 (3/4" FNPT)	15845 (3/4" 150#)	5	120	18.93	454.25	0.08	0.32	150	26-11/16"	29-5/8"	N/A	21"	N/A	N/A	3"
15846 (3/4" FNPT)	15847 (3/4" 150#)	10	240	37.85	908.5	0.17	0.63	150	25-11/16"	30-5/8"	24-1/8"	19-1/2"	2-3/8"	1-3/16"	3-9/32"
15848 (1" FNPT)	15849 (1" 150#)	20	480	75.71	1816.99	0.33	1.26	150	23-5/8"	28-3/8"	21-7/8"	17-1/4"	3-1/4"	1-5/8"	3-25/32"
15850 (1" FNPT)	15851 (1" 150#)	40	960	151.42	3633.98	0.67	2.52	150	28-7/8"	33-5/8"	27-1/8"	22-1/2"	3-7/8"	1-15/16"	4-3/32"
15852 (1" FNPT)	15853 (1" 150#)	60	1440	227.12	5450.98	1	3.79	150	26-3/8"	31-1/8"	24-5/8"	20"	4-7/8"	2-7/16"	4-19/32"
15854 (1-1/2" FNPT)	15855 (1-1/2" 150#)	80	1920	302.83	7267.97	1.33	5.05	150	22-3/16"	26-5/8"	20-1/8"	15-1/2"	6"	3"	5-1/8"
15856 (1-1/2" FNPT)	15857 (1-1/2" 150#)	100	2400	378.54	9084.96	1.67	6.31	150	26-3/16"	30-5/8"	24-1/8"	19-1/2"	6"	3"	5-1/8"
15858 (2" FNPT)	15859 (2" 150#)	120	2880	454.25	10901.95	2	7.57	115	24-5/8"	28-5/8"	22-1/8"	17-1/2"	7"	3-1/2"	5-21/32"
15860 (2" FNPT)	15861 (2" 150#)	140	3360	529.96	12718.94	2.33	8.83	115	27-5/8"	31-5/8"	25-1/8"	20-1/2"	7"	3-1/2"	5-21/32"
15862 (2" FNPT)	15863 (2" 150#)	280	6720	1059.91	25437.89	4.67	17.67	70	30"	34"	27-1/2"	22-7/8"	9"	4-1/2"	6-21/32"
15864 (2" FNPT)	15865 (2" 150#)	440	10560	1665.58	39973.82	7.33	27.76	45	29-3/4"	33-3/4"	27-1/4"	22-5/8"	11-1/8"	5-9/16"	7-23/32"
15866 (2" FNPT)	15867 (2" 150#)	620	14880	2346.95	56326.75	10.33	39.12	30	29-3/8"	33-3/8"	26-7/8"	22-1/4"	13-1/8"	6-9/16"	8-23/32"

\*Model number 15842 through 15845 gauges are not equipped with end plates. Model number 15846 through 15851 gauges are equipped with 1/4" thick end plates, but they are round and do not have 7/16"Ø mounting holes. See Kenco website for a detailed outline drawing of each model.

## ORDERING SYSTEM Calibration Pots

REQUESTED BY: \_\_\_\_\_ COMPANY: \_\_\_\_\_

ADDRESS: \_\_\_\_\_ CITY: \_\_\_\_\_ STATE: \_\_\_\_\_ ZIP: \_\_\_\_\_

PHONE: \_\_\_\_\_ FAX: \_\_\_\_\_ EMAIL: \_\_\_\_\_





### Gauge Model Number

15842 15849 15856 15863  
 15843 15850 15857 15864  
 15844 15851 15858 15865  
 15845 15852 15859 15866  
 15846 15853 15860 15867  
 15847 15854 15861  
 15848 15855 15862

### Material of Constuction

CS = Carbon Steel  
 SS = 316 Stainless Steel)  
 Other (Please specify)

### Seal Material

V = Fluorocarbon  
 A = Aflas  
 B = Buna-N  
 T = FEP Encapsulated Silicone  
 E = Ethylene Propylene  
 • Other Seal Materials Available.  
 Consult Factory For Options.

### Calibration Scale

GPH = Gallons Per Hour  
 LPH = Liters Per Hour  
 GPD = Gallons Per Day  
 LPD = Liters Per Day  
 GBV = Gallons By Volume  
 LBV = Liters By Volume  
 • Other Scale Options Available.  
 Consult Factory For Options.

- Example Order Number: 15844-SS-T-LPH
- Please contact Kenco to request a quote for options not covered by gauge specifications shown above.

# DRAW DOWN CALIBRATION CYLINDER

## APPLICATIONS:

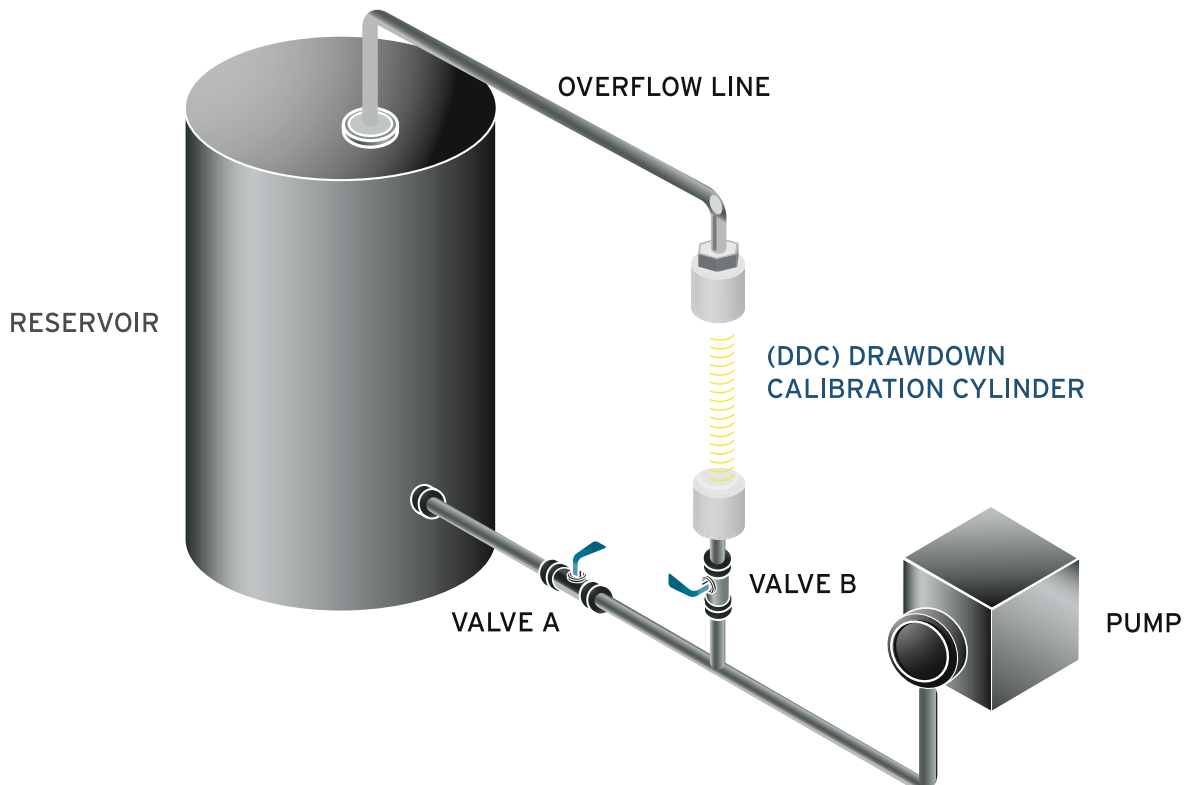
- To calibrate the flow rate of chemical metering pumps and chemical injection systems
- To periodically monitor the performance and accuracy of a chemical injection system
- To insert accurate dosages of chemical into batch processes

## FEATURES:

- Dual Scale:
  1. Total gauge volume in millimeters
  2. Gallons per hour scale for a one minute test of calibration to determine flow rate
- Mylar laminated scales are protected from attack by harsh chemicals
- Available in capacities ranging from 60 ML up to 10,000 ML
- Models with threaded NPT connections on both ends and models with removable slip on top caps available
- Rugged construction using transparent PVC pipe and industrial grade PVC fittings
- Sight tube material is clear and impact resistant superior grade PVC
- Materials of construction are qualified to handle a wide range of chemicals
- Special sizes available upon request
- Other materials also available



## COMMON APPLICATION



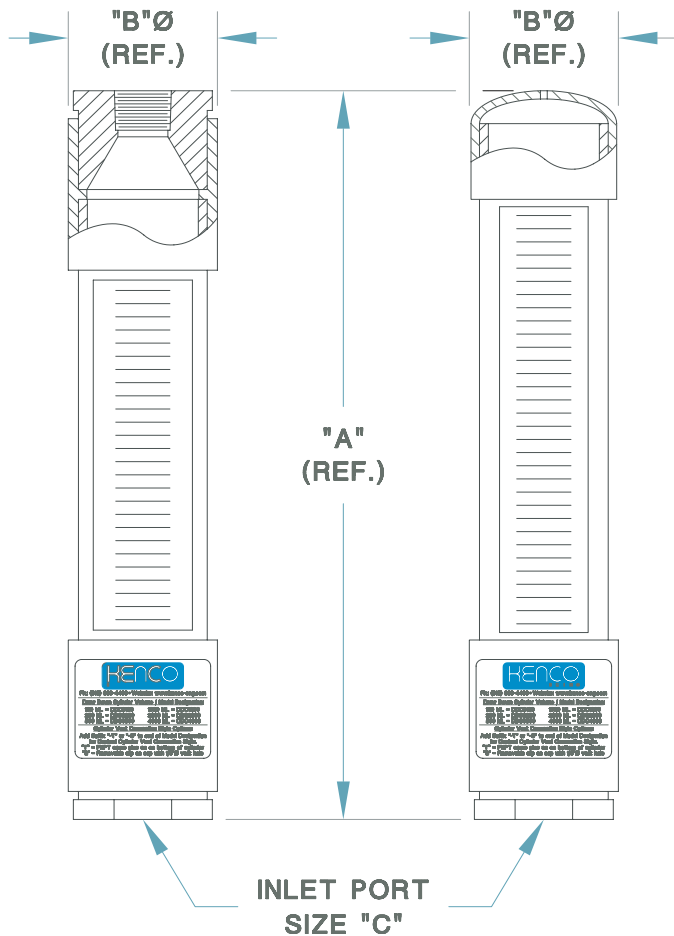
## DRAW DOWN CALIBRATION CYLINDER GAUGE SPECIFICATIONS

GAUGE MODEL NUMBER		GAUGE VOLUME	MAXIMUM PUMP RATE	VOLUME / RATE SCALE DIVISIONS		"A"		"B"	"C"
FEMALE NPT	SLIP ON CAP	ML	GPH	ML	GPH	FEMALE NPT	SLIP ON CAP		
DDC0060-T	DDC0060-S	60	0.951	0.5	0.01	13-3/4"	12-11/16"	1-5/16"	1/4" FNPT
DDC0100-T	DDC0100-S	100	1.585	1	0.02	14-3/8"	13-5/16"	1-5/8"	1/2" FNPT
DDC0250-T	DDC0250-S	250	3.963	2	0.05	15-3/4"	14-7/16"	2-1/4"	1/2" FNPT
DDC0500-T	DDC0500-S	500	7.925	5	0.10	17-13/16"	16-3/8"	2-3/4"	3/4" FNPT
DDC1000-T	DDC1000-S	1000	15.850	5	0.10	27-1/16"	25-5/8"	2-3/4"	3/4" FNPT
DDC2000-T	DDC2000-S	2000	31.700	20	0.25	21-1/4"	19-7/16"	5"	2" FNPT
DDC4000-T	DDC4000-S	4000	63.401	20	0.25	31"	29-3/16"	5"	2" FNPT
DDC10,000-T	DDC10,000-S	10,000	158.503	100	2	36-7/8"	33-7/8"	7-1/4"	2" FNPT

**Notes:**

1. Female NPT Vent on "-T" model is the same size as Inlet Port Size "C".
2. Slip-on Cap on "-S" model is removable and has a 1/8" diameter vent hole through center.
3. Maximum Pump Rates and Rate Scale Divisions in Gallons Per Hour are based on a one minute test.
4. Other gauge sizes are available. Please contact Kenco to request a quote for options not covered by gauge specifications shown above.

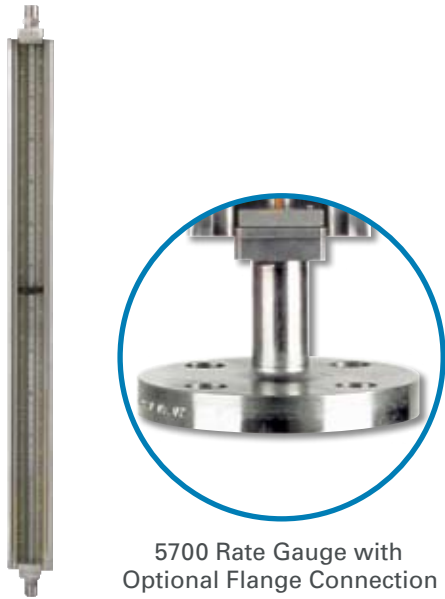
## DRAW DOWN CALIBRATION CYLINDER



# INJECTION RATE GAUGES

The 5700, 7000 and 17000 series gauges are armored rate setting gauges with NPT or flanged connections at each end. These gauges provide a visual means for setting and monitoring the pump rate of a chemical metering pump. The gauges operate in low to medium pressure applications.

5700 RATE GAUGE  
WITH 1/2" CONNECTIONS



5700 Rate Gauge with  
Optional Flange Connection

7000 RATE GAUGE  
WITH 3/4" TEST VALVE  
CONNECTION



17000 RATE GAUGE  
WITH 1" CONNECTIONS



*Now Available  
with all Standard  
Shield Options*

## 5700, 7000 AND 17000 SERIES GAUGE SPECIFICATIONS

The armored design of the gauge offers maximum protection for the sight tube from mechanical impact. Three sides of the gauge are protected with a metal frame, while the face of the gauge is protected with an impact resistant polycarbonate shield. This shield can be custom calibrated to read tank volume or any other desired calibration. A wide variety of wetted materials and seals are available to ensure compatibility with whatever fluid is being used. For mounting purposes, a mounting lug is welded to the back of the gauge.

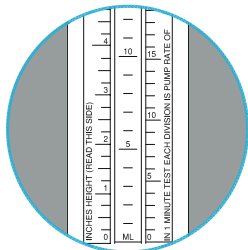
The 5700 rate gauge has 1/2" MNPT x 3/8" FNPT threaded process connections. 1/2" to 2" flanged process connections are also available. The standard sight tube is 5/8" O.D. glass. Other sight tube options are also available upon request.

The 7000 Injection Rate Gauge is of the same construction as the 5700 gauge but is provided with a spring-loaded test valve similar to the valve supplied on the 779 Drum Gauge. The test valve is used to isolate the chemical supply tank from the gauge to conduct a one minute calibration test for the chemical pump.

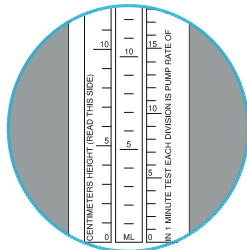
The 17000 rate gauge is fitted with 1" MNPT process connections (flanged process connections are also available). The standard sight tube is 1" O.D. glass, which makes it ideal for viscous liquids.

## SPECIAL GAUGE APPLICATION - CHEMICAL INJECTION SYSTEMS

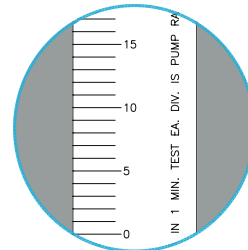
5700, 7000 and 17000 gauges are used to calibrate chemical injection systems. The injection rate of a chemical metering pump is checked by closing a valve between the gauge and the chemical storage tank and observing the change in fluid height in one minute. Using the rate scale on the front of the polycarbonate shield, count the number of marks the fluid level passed during the one minute test period. This will give you the actual chemical pump rate. If the rate is not the one desired, make an adjustment to the chemical pump feed rate, and conduct as many one minute tests as is necessary to set the chemical pump to the rate desired. If a higher pump rate is required, the test period can be shortened to 30 seconds or 15 seconds or lengthened to a 2 minute test.



Silk screened rate/height shield calibrated in quarts per day (5700/7000), gallons per day (17000), milliliters per minute and height in inches



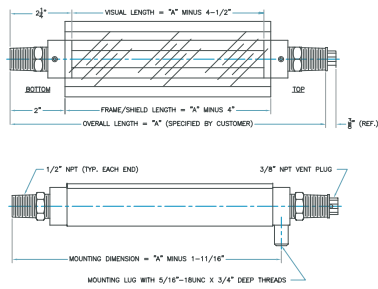
Silk screened metric rate/height shield calibrated in liters per day, milliliters per minute and height in centimeters



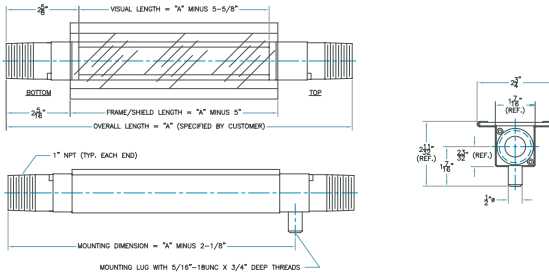
Custom engraved shield with scale(s) to meet your application requirements (tank volume, percent, etc.)



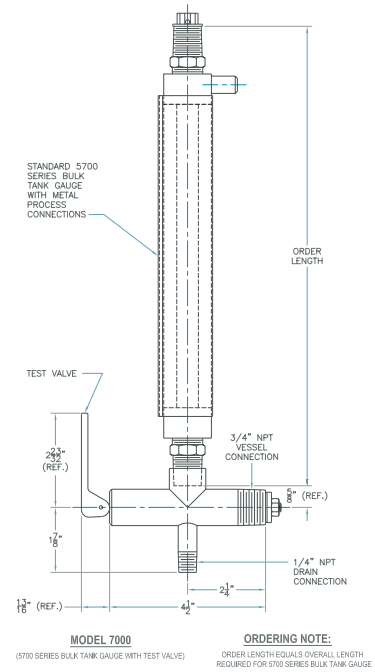
## 5700 RATE GAUGE



## 17000 RATE GAUGE



## 7000 RATE GAUGE



## ORDERING SYSTEM

### 5700, 7000 & 17000 Injection Rate Gauges

REQUESTED BY: \_\_\_\_\_ COMPANY: \_\_\_\_\_

ADDRESS: \_\_\_\_\_ CITY: \_\_\_\_\_ STATE: \_\_\_\_\_ ZIP: \_\_\_\_\_

PHONE: \_\_\_\_\_ FAX: \_\_\_\_\_ EMAIL: \_\_\_\_\_

\_\_\_\_\_

#### Gauge Style

5700=Gauge w/ 1/2" MNPT Connections  
 17000=Gauge w/ 1" MNPT Connections  
 7000=Gauge w/1/2" MNPT Connections & Test Valve with 3/4", & 1/4" MNPT Connections

• Flange not available for 7000 gauge

#### Flange Option

N=None (Leave Blank)  
 FL50=1/2" Flange  
 FL75=3/4" Flange  
 FL1.0=1" Flange  
 FL1.5=1 1/2" Flange  
 FL2.0=2" Flange

#### Overall Length of Gauge (Inches)

#### Material of Construction\*

C=Zinc Plated Carbon Steel  
 A=Stainless Steel  
 W=316 Stainless Steel Wetted Parts w/Carbon Steel Frame  
 PC=PVC Wetted Parts w/Carbon Steel Frame  
 PS=PVC Wetted Parts w/ Stainless Steel Frame  
 Other (Please Specify)

• For flanged models, select options C, A, PC or PS only

#### Seal Material

V=Fluorocarbon  
 A=Aflas  
 B=Buna-N  
 T=(5700/7000) PTFE (17000) FEP Encapsulated Silicone  
 E=Ethylene Propylene

\_\_\_\_\_

#### Shield Options\*\*

L=Clear Polycarbonate  
 H=Height Scale  
 RH=Rate Height Scale  
 MH=Metric Height Scale  
 MRH=Metric Rate Height Scale  
 M=Expanded Metal

#### Sight Tube Options\*\*\*

GS=5/8" O.D. Glass (5700/7000)  
 1" O.D. Glass (17000)  
 RL=5/8" O.D. Redline Glass (5700)  
 1" O.D. Redline Glass (17000)

#### Maximum Working Pressure (PSIG)

#### Maximum Operating Temperature (°F)

#### Steam

S=Steam Application  
 NS=Non-Steam Application

• Example Order Number: 5700-52-A-T-RH-GS-ATM-110-NS

\* PC & PS option not available on 7000 series injection rate gauge

\*\* See page 8 or visit [www.kenco-eng.com](http://www.kenco-eng.com) for shield descriptions

\*\*\* Based on application data provided, Kenco will select the appropriate sight tube material, i.e. high pressure glass.

# DRUM GAUGES

MODELS 596, 599, 779, 787, 810

## APPLICATIONS:

KENCO Drum Gauges are an important part of a chemical injection skid. Drum Gauges are used to measure the liquid level inventory in horizontal 55 gallon chemical storage tanks. In addition, several models come complete with a test valve to set the injection rate of a chemical metering pump.

## FEATURES:

- Volume Scale is calibrated in Gallons and Liters
- Chemical injection rate scale is calibrated in Quarts/24 Hours and Liters/24 Hours
- Available in a wide range of materials for ultimate corrosion resistance
- Models available to accommodate diaphragm operated pumps
- Can handle pump rates up to 19.5 gallons or 74 liters per day
- Installs easily in 3/4" NPT outlet of drum head
- Adjustable steel gauge markers for easy calibration

## THE ONE MINUTE TEST (using a 779, 810 or 599):

To check the pumping rate of a chemical pump, depress the valve handle (or close the ball valve on Model 599). This will isolate the level gauge from the storage tank. Hold the valve closed for one minute and observe the change in level on the scale cast inside the gauge frame. The scale on the left hand side of the gauge glass is calibrated in quarts per 24 hours and the scale on the right is calibrated in liters per 24 hours. The rate observed is the actual chemical pump rate. If the rate is not the one desired, make an adjustment to the chemical pump feed rate and conduct as many one minute tests as is necessary to set the chemical pump rate to the rate desired.



**NEW**

**ADJUSTABLE  
STEEL GAUGE  
MARKERS**

## ORDERING SYSTEM Drum Gauges

REQUESTED BY: \_\_\_\_\_ COMPANY: \_\_\_\_\_

ADDRESS: \_\_\_\_\_ CITY: \_\_\_\_\_ STATE: \_\_\_\_\_ ZIP: \_\_\_\_\_

PHONE: \_\_\_\_\_ FAX: \_\_\_\_\_ EMAIL: \_\_\_\_\_

### Drum Gauge Style

596  
787  
599  
779  
779-KS  
810

### Wetted Valve Material\*

CS= Carbon Steel (Leave Blank)  
S = 304 Stainless Steel  
PB = PVC  
Other (Please specify above)

### Optional

None (Leave Blank)  
V = 1/4" FNPT Vent

### O-ring Seal Material:

A = Aflas  
B = Buna-N  
E = Ethylene Propylene  
VI = Fluorocarbon  
T = FEP

### DRUM GAUGE REPAIR KITS

593-K = Drum Gauge Glass Repair Kit for gauges without a vent connection

593-KV = Drum Gauge Glass Repair Kit for gauges with a vent connection

DGOS-RK = Drum Gauge O-Ring Seal Repair Kit for gauge glass only on gauges without vent connection

DGOS-RKV = Drum Gauge O-Ring Seal Repair Kit for gauge glass only on gauges with vent connection

943-K = Seal Repair Kit for test valve on model 779, 779-S, 779-KS, 779-KS-S, 810 & 810-S

O-RING SEAL MATERIAL OPTIONS=Kits are supplied with Aflas O-ring seal material as a standard. Specify other seal materials using options shown above. (Example: 593-K-V)

### VALVE ASSEMBLIES FOR DRUM GAUGES\*\*

P-598 for 596

P-1093 for 596-PB

P-598-8 for 787

P-6434 for 599

P-1208 for 779

P-6977 for 779-PB

P-1048 for 779-KS

P-1210 for 810

\* PB option not available on all models

\*\* For 304 SS valve assemblies, add a -S to the part number.

# DRUM GAUGE OPTIONS



## 596 DRUM GAUGE

Mounts in the 3/4" outlet of a horizontal 55 gallon drum. The glass sight tube is protected by a cast aluminum frame which is calibrated in gallons and liters, indicating the liquid content of the drum.



## 779 DRUM GAUGE

Comes complete with a spring loaded test valve for checking injection rates of chemical pumps. This gauge also mounts in the 3/4" tank outlet and indicates tank volume in gallons and liters. The connection for the chemical pump suction line is 1/4" MNPT and is located as shown in the photograph.



## 810 DRUM GAUGE

The same as a 779 Drum Gauge, except valve nipple is longer to compensate for the vented elbow and elbow clamp supplied with this unit. The gauge is supplied with a vented 2" malleable iron elbow for refilling the drum and a test valve for checking the pump rate.



## 779-PB DRUM GAUGE

Has a heavy-duty PVC head with a push-pull test valve. The Drum Gauge frame is our standard cast aluminum. There is a brace to support the weight of the gauge that is connected to the top of the drum rim and it also stabilizes the gauge from lateral movement. It has a 1/4" female NPT outlet.



## 779-KS DRUM GAUGE

Is designed to accommodate the mounting of some diaphragm operated chemical pumps on its side mounted 1/4" MNPT outlet. Use this gauge to check the operation of any chemical pump. The valve body has an extra long throat.



## 599 DRUM GAUGE

Supplied with a 3/4" ball valve which when closed provides a means for checking the pump rate of a chemical pump. The connection for the chemical pump suction port is 1/4" FNPT and is located on the front of the mounting nipple.



## 787 DRUM GAUGE

Provides a visual gauge indicating the chemical content of the drum and is supplied with a vented 2" elbow for refilling the drum. The gauge is secured to the malleable iron elbow with a stainless steel clamp.

**TROUBLESHOOTING:** the check valve of the chemical pump is not functioning properly, the fluid level in the sight tube of the drum gauge will pulsate between pump strokes when the valve of the gauge is closed.



## ELBOW

Optional vented 2" malleable iron elbow with a stainless steel clamp. (comes with 787 and 810)

## OPTIONAL VENT CONNECTION

The Drum Gauges can be vented to atmosphere. These gauges can be supplied with a 1/4" FNPT connection to vent the gauge back into the tank. To specify gauges with this connection, add "V" to the product number, i.e. 779-V.



# 929 PUMP SETTING GAUGE



MODEL 929-1-S

## MODEL 929-1-S

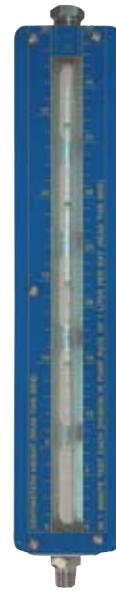
Gauge mounts in suction line between reservoir and chemical pump and allows you to accurately calibrate pump to the desired amount of chemical to be injected. It provides a visual indication of liquid in the reservoir as well as a rapid means for setting the chemical pump.

## MODEL 929-1-S-MRH

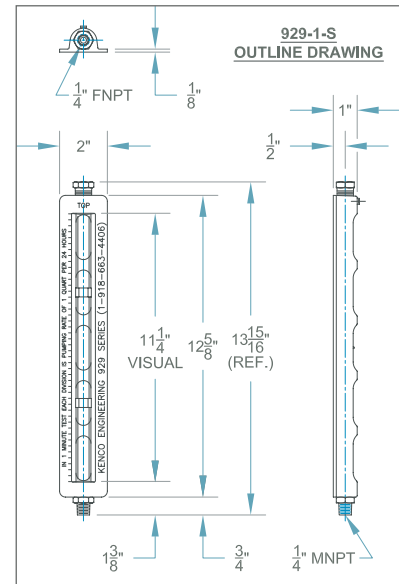
Same as 929-1-S except with a clear polycarbonate sight tube shield with silk screened Metric Rate and Height scales. Scales are in Centimeters, Milliliters and Liters Per Day based on a one minute test.

## MODEL 929-2

Same as 929-1-S except lower gauge connection is a 1/4" quick disconnect plug meeting industrial interchangeability requirements of MIL-C-4109. This allows gauge to be easily moved to various quick disconnect coupler locations.



MODEL 929-1-S-MRH



**NEW**

**ADJUSTABLE  
STEEL GAUGE  
MARKERS**

## MODEL SPECIFICATIONS

MODEL NUMBER	BASIC MODEL DESCRIPTION	*MAXIMUM PUMP RATE	*RATE SCALE DIVISIONS	MOUNTING THREAD	VENT SIZE	WETTED METALS	SIGHT TUBE	SEAL MATERIAL
929-1-S	GAUGE ONLY	11.25 GPD	1 QPD	1/4" MNPT	1/4" FNPT	303 S.S.	GLASS	AFLAS
929-1-S-MRH		42 LPD	1 LPD / 1 ML					
929-1-S6	GAUGE ONLY	11.25 GPD	1 QPD	1/4" MNPT	1/4" FNPT	316 S.S.	GLASS	AFLAS
929-1-S6-MRH		42 LPD	1 LPD / 1 ML					
929-2	929-1-S w/COUPLER PLUG	11.25 GPD	1 QPD	1/4" CPLR. PLUG	1/4" FNPT	C.S. / 303 S.S.	GLASS	AFLAS
929-2-MRH		42 LPD	1 LPD / 1 ML					
1061	QUICK COUPLER f/929-2	N/A	N/A	1/4" MNPT	N/A	C.S.	N/A	BUNA
2037	929-2 COUPLER PLUG			1/4" FNPT				N/A

\*Maximum Pump Rates are based on a one minute test. Rate Scale Divisions in Quarts Per Day / Liters Per Day are based on a one minute test and Scale Divisions in Milliliters are based on gauge volume.

## ORDERING SYSTEM

### 929 Pump Setting Gauges

REQUESTED BY: \_\_\_\_\_ COMPANY: \_\_\_\_\_

ADDRESS: \_\_\_\_\_ CITY: \_\_\_\_\_ STATE: \_\_\_\_\_ ZIP: \_\_\_\_\_

PHONE: \_\_\_\_\_ FAX: \_\_\_\_\_ EMAIL: \_\_\_\_\_

#### Model Number

929-1-S  
929-1-S-MRH  
929-1-S6  
929-1-S6-MRH

929-2  
929-2-MRH  
1061  
2037

#### O-ring Seal Material Options other than Aflas:

B = Buna-N  
E = Ethylene Propylene  
V = Fluorocarbon  
T = PTFE (Not available on Test Valve)

Represented by:

Kenco Sales Offices:

PO Box 470426  
Tulsa, OK 74147  
phone 918.663.4406  
fax 918.663.4480  
<http://www.kenco-eng.com>  
email: [info@kenco-eng.com](mailto:info@kenco-eng.com)

**Baton Rouge Office**  
11616 Industriplex, Suite 7  
Baton Rouge, LA 70809  
phone 225.755.1912  
fax 225.755.1913  
<http://www.kenco-eng.com>  
email: [kenco-la@kenco-eng.com](mailto:kenco-la@kenco-eng.com)

